



Building your Easter Crate



1 You will need:



Manual
Screwdriver



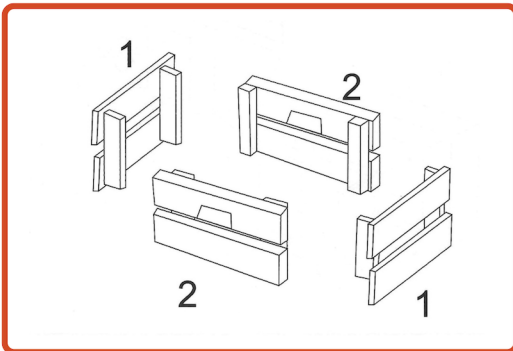
Approx. 5
minutes



Make it a
family activity!

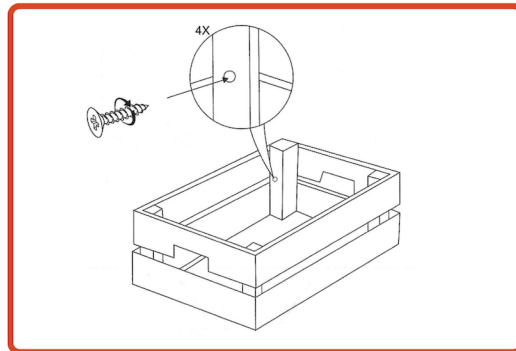
Note: Electric Screwdriver not recommended as it may cause damage to the crate. Do not step on crate.

STEP 1



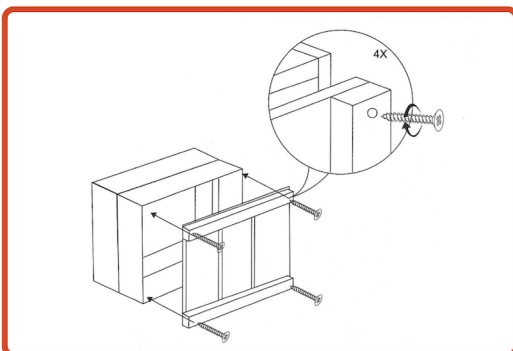
Start by placing the four sides together, ensuring the handles are on the top panel.

STEP 2



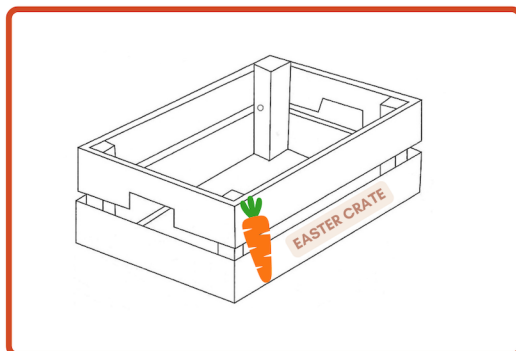
With the enthusiasm of an Easter egg hunt, use a manual screwdriver to screw the 4 shorter screws into the sides to connect.

STEP 3



Place the bottom piece in (it should fit snug inside!) and screw the four larger screws into the wood slats.

STEP 4



Voilà! Your Easter crate is ready to be filled with joy and surprises. We wish you a hoppy and delightful Easter!

We'd love to see your crate in the making and on the day! Remember to share it with us and tag us in your posts. We hope you have a great Easter!



@thewillowcorner.au



@thewillowcorner_au



www.thewillowcorner.com.au

