



# Building your Christmas Crate



1 You will need:



Manual  
Screwdriver



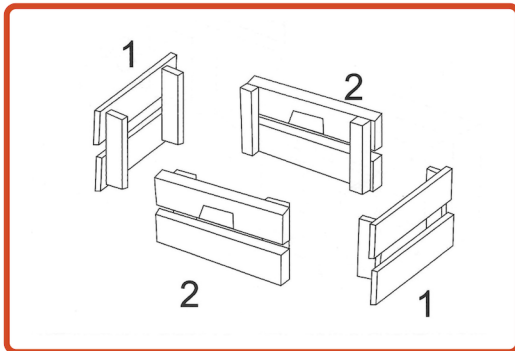
Approx. 5  
minutes



Make it a  
family activity!

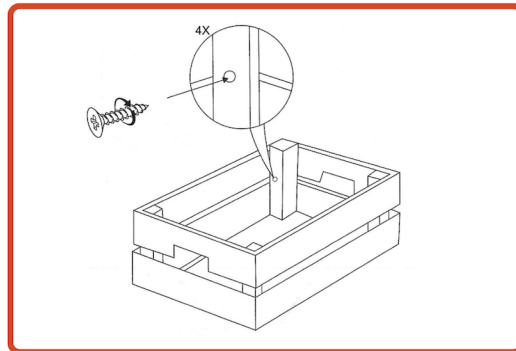
**Note: Electric Screwdriver not recommended as it may cause damage to the crate. Do not step on crate.**

## STEP 1



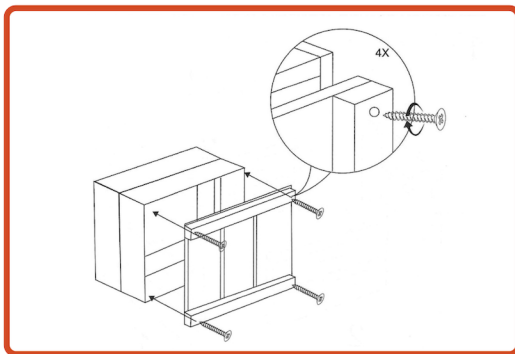
Start by placing the four sides together, ensuring the handles are on the top panel.

## STEP 2



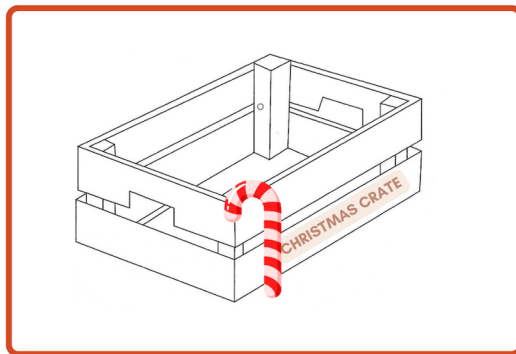
Using a manual screwdriver, screw the 4 shorter screws into the sides to connect.

## STEP 3



Place the bottom piece in (it should fit snug inside!) and screw the four larger screws into the wood slats.

## STEP 4



That's it!

We wish you a very Merry Christmas!

**We'd love to see your crate in the making and on the day! Remember to share it with us and tag us in your posts. We hope you have a great Easter!**



@thewillowcorner.au



@thewillowcorner\_au



www.thewillowcorner.com.au